

# HYVA CYLINDER



715 35 320

Front end cylinder with eye

type

FE 149-4-04940-001A-K1529

tipping weight

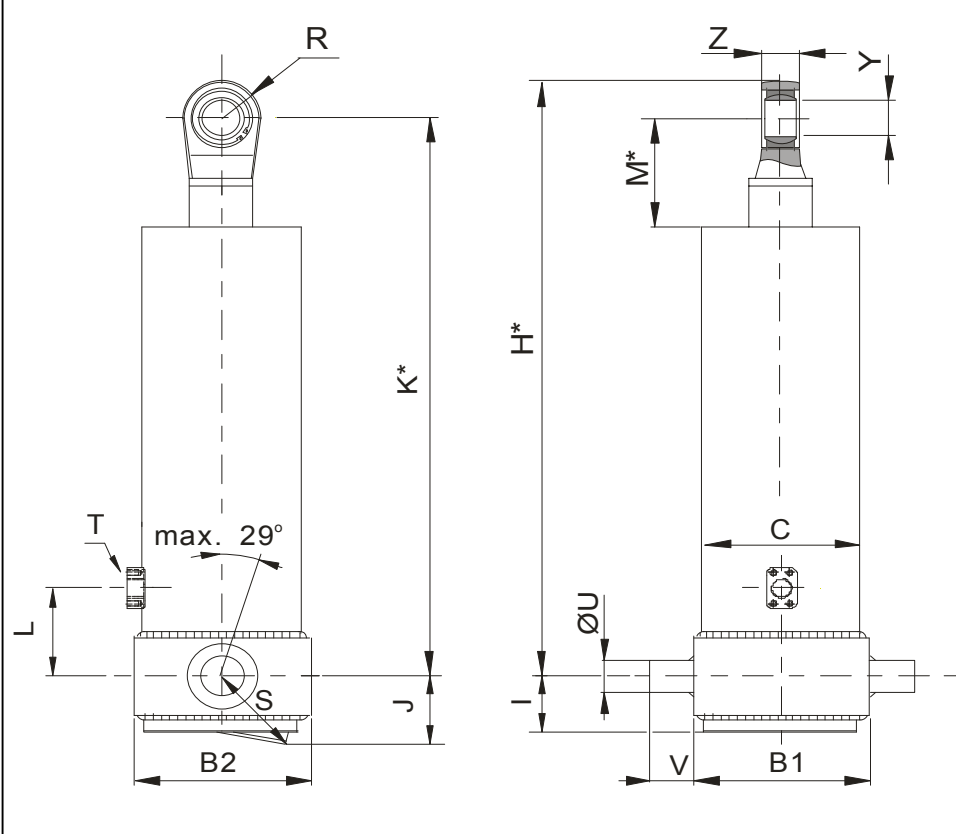
34-66 ton

page # 1 / 2

closed length (K)

1524-1559 mm

front & side view cylinder



|    | 1      | 2   |    |
|----|--------|-----|----|
| A  |        |     | mm |
| B  | 201    | 201 | mm |
| C  | 169    |     | mm |
| D  |        |     | mm |
| E  |        |     | mm |
| F  |        |     | mm |
| G* |        |     | mm |
| H* | 1582   |     | mm |
| I  | 60     |     | mm |
| J  | 96     |     | mm |
| K* | 1529   |     | mm |
| L  | 190    |     | mm |
| M* | 100    |     | mm |
| N  |        |     | mm |
| O  |        |     | mm |
| P  |        |     | mm |
| Q  |        |     | mm |
| R  | 53     |     | mm |
| S  | 114    |     | mm |
| T  | 1" SAE |     |    |
| U  | 60     |     | mm |
| V  | 65     |     | mm |
| W  |        |     | mm |
| X  |        |     | mm |
| Y  | 50     |     | mm |
| Z  | 42     |     | mm |

\*incl.20[-5;30] pull out on piston

## specifications

|                                 |           |
|---------------------------------|-----------|
| weight cylinder only            | 179 kg    |
| total volume                    | 63 L      |
| working volume                  | 58 L      |
| maximum pressure                | 190 bar   |
| maximum pump flow               | 137 L/min |
| maximum cylinder angle to front | 30 °      |
| maximum thrust first stage**    | 30 ton    |

\*\*when cyl. mounted at a large angle, thrust first stage may become too high: see Hyva Tipper Program

## technical notes

This cylinder is a lifting device only and may not be used as structural member or be subject to side load. Working pressure depends on application; never exceed maximum pressure stated. Cylinder is painted black (RAL9005). Max duration of extension 0.5 hours (excluded HC). See specification sheet CYL-0019 for mounting instructions, OIL-0011 for oil specifications and 015BRA01 for bracket specifications.

| extension               | 1    | 2    | 3    | 4    | 5 | 6 | 7 | 8 | 9 |       |
|-------------------------|------|------|------|------|---|---|---|---|---|-------|
| effective diameter [mm] | 149  | 129  | 110  | 91   |   |   |   |   |   | total |
| stroke [mm]             | 1220 | 1240 | 1240 | 1240 |   |   |   |   |   | 4940  |

## tipping weight

tipping weight at maximum pressure of 190 bar and C is 158 mm

|   | 6500 |    |    | 6300 |    |    | 6100 |    |    |
|---|------|----|----|------|----|----|------|----|----|
|   | BL   | OH | At | BL   | OH | At | BL   | OH | At |
| BL (body length);<br>OH (rear overhang);<br>X=Ycog (vert. pos. centre<br>of gravity);<br>Qo (pivot length);<br>C (bracket length);<br><br>At = stroke x 60 / Qo |      |    |    |      |    |    |      |    |    |
| Ycog  |      |    |    |      |    |    |      |    |    |
| 600   | 34   | 38 | 43 | 35   | 39 | 44 | 36   | 40 | 47 |
| 900   | 37   | 42 | 48 | 38   | 43 | 51 | 40   | 46 | 55 |
| 1200  | 40   | 46 | 55 | 42   | 49 | 60 | 44   | 52 | 66 |

# HYVA CYLINDER

715 35 320

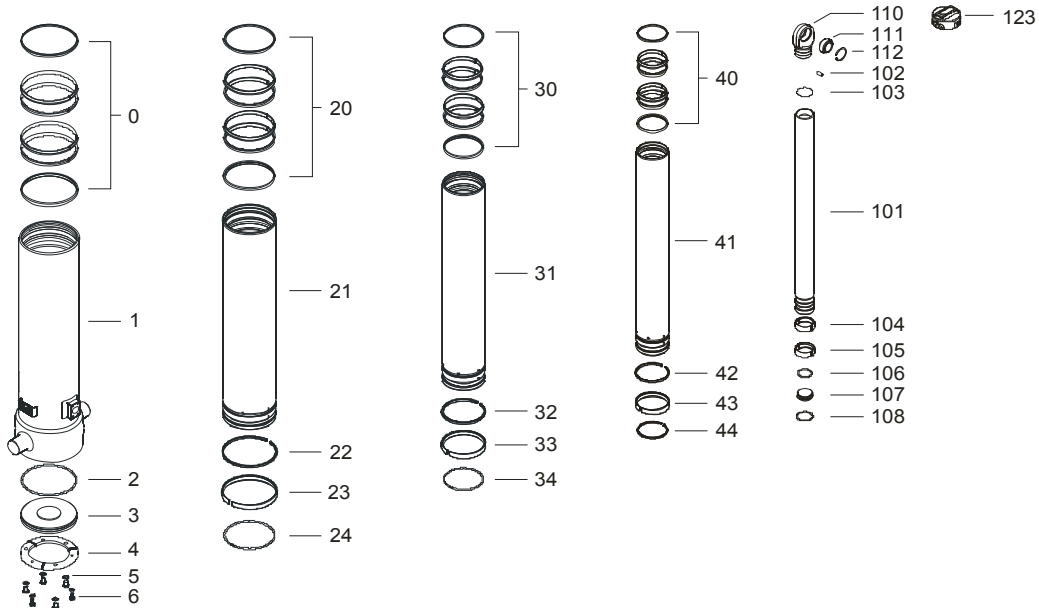


Front end cylinder with eye

type

FE 149-4-04940-001A-K1529

page # 2 / 2



## Spare part list

| Pos | Part no.   | Description              | Qty. |
|-----|------------|--------------------------|------|
| 0   | 71802169 K | PACKSET FL 169           | 01   |
| 1   | 72506440   | BASE 169-1479-4/4SAE-190 | 01   |
| 2   | 71870035 K | SEAL BOTTOM PLATE 169    | 01   |
| 3   | 71821169   | BOTTOM PLATE 169         | 01   |
| 4   | 71820169   | LOCKING PLATE 169        | 03   |
| 5   | 01732559 K | SPRING WASHER M8 SET     | 01   |
| 6   | 01732055 K | BOLT M8 X 1.25 X 20 SET  | 01   |

|    |            |                        |    |
|----|------------|------------------------|----|
| 20 | 71802149 K | PACKSET FL 149/HP 150  | 01 |
| 21 | 72605440   | STAGE 149-1440         | 01 |
| 22 | 71811149 K | OUTER STOPRING FL 149  | 01 |
| 23 | 71807149 K | SLIDER FL 149          | 01 |
| 24 | 71812149 K | LIFTRING FL 149/HP 150 | 01 |

|    |            |                                 |    |
|----|------------|---------------------------------|----|
| 30 | 71802129 K | PACKSET FL 129/HP 129           | 01 |
| 31 | 72604440   | STAGE 129-1440                  | 01 |
| 32 | 71811129 K | OUTER STOPRING FL 129/HP 129 HD | 01 |
| 33 | 71807129 K | SLIDER FL 129/GF 129 (2 X 1/2)  | 01 |
| 34 | 71812129 K | LIFTRING FL 129/HP 129          | 01 |

## Spare part list

| Pos | Part no.   | Description                     | Qty. |
|-----|------------|---------------------------------|------|
| 40  | 71802110 K | PACKSET FL 110                  | 01   |
| 41  | 72603440   | STAGE 110-1440                  | 01   |
| 42  | 71811110 K | OUTER STOPRING FL 110/HP 110 HD | 01   |
| 43  | 71807110 K | SLIDER FL 110/GF 110 (2 X 1/2)  | 01   |
| 44  | 71812110 K | LIFTRING FL 110                 | 01   |

|     |            |                                     |    |
|-----|------------|-------------------------------------|----|
| 101 | 72402441   | PISTON S 091-1445-HC                | 01 |
| 102 | 71875012   | PIN ROUND HEAD GROOVED 8x15 mm      | 02 |
| 103 | 71870115 K | O-RING PISTON TOP 091               | 01 |
| 104 | 71811091 K | OUTER STOPRING FL 091/HP 091 HD     | 01 |
| 105 | 71807091 K | SLIDER FL 091 (2 X 1/2)             | 01 |
| 106 | 71870215   | O-RING PISTON BOTTOM 091            | 01 |
| 107 | 71822091   | BOTTOM PLATE PISTON 091             | 01 |
| 108 | 01745012   | CIRCLIP 82 DIN 472 (87.5x2.5)       | 01 |
| 110 | 71835091   | PISTON EYE SPH. 091 MACHINED+SPH.EY | 01 |
| 111 | 71875450   | SPHERICAL EYE D.50 MAINT. FREE      | 01 |
| 112 | 01770560   | CIRCLIP GE 50 DO                    | 01 |
| 123 | 71838955   | DUST COVER FE 149 YELLOW            | 01 |

## Seal kit complete:

| Part no.   | Description  |
|------------|--|
| 71901540 K | Seal kit complete:<br>consists of all packsets with packset<br>grease, O-rings and Pin (pos.102) |

## Notes:

The inner and outer stoprings are pre-mounted in the grooves on spare stages and pistons. Therefore, when ordering new tubes, it is not required to order stopring separately.