

ELECTRONIC SLOPE DETECTOR



ELECTRONIC SIDE SLOPE DETECTOR

Hyva

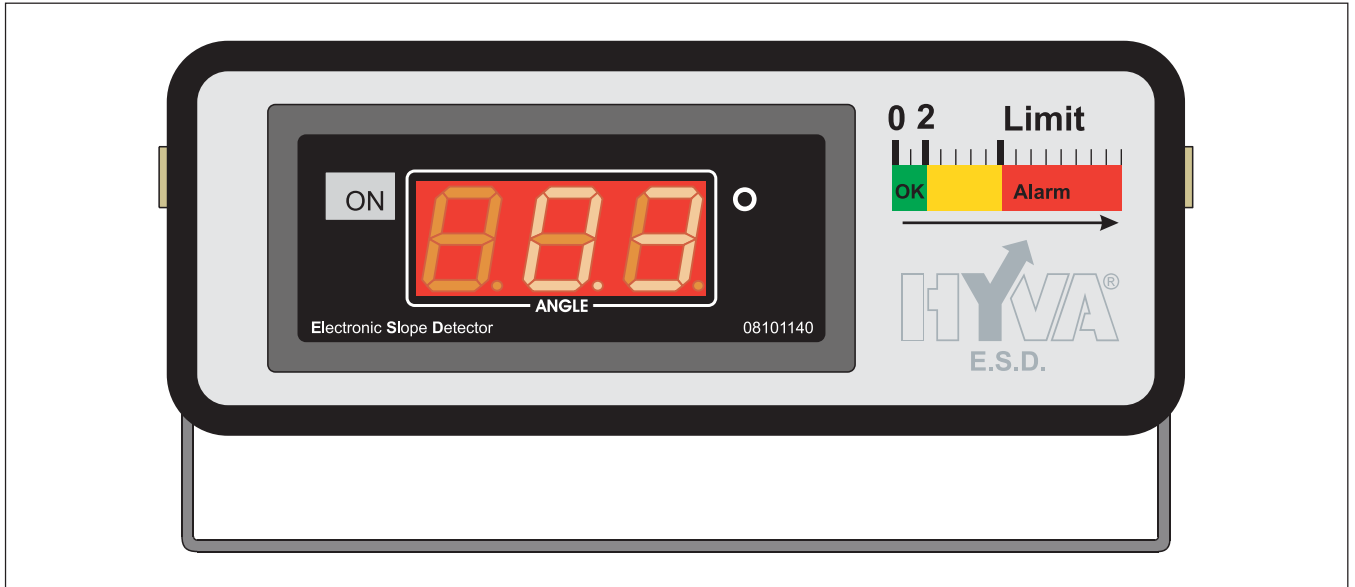
type :

electronic slope detector

part number :

147 42 200

page # 1 / 1



Features

The side slope detector gives a visual and audible signal as soon as the vehicle starts to get too much side slope.

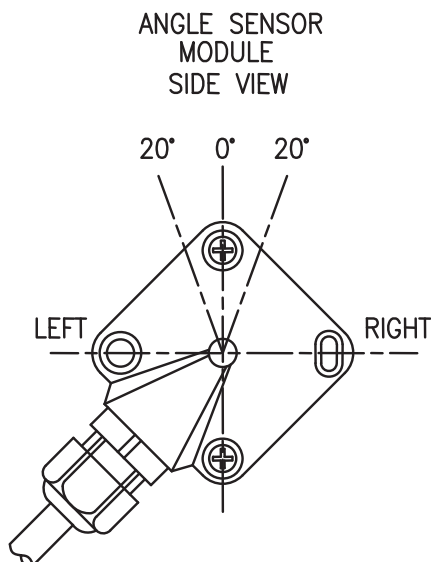
The audible signal is a pulsating sound of which the pitch increases when the side slope gets bigger. The angle from which the signal starts is fully adjustable.

The side slope angle is visible on the dashboard display.

An extra electrical contact can switch off e.g. the air flow to a p.t.o. or a tipping valve as soon as a set angle is reached (electro pneumatic valve not supplied in kit).

All parameters can be changed manually on the dashboard panel. Calibration on level ground is done in the same way.

The side slope detector is complete with a set of electrical wires and plugs to suit a truck as well as a semi trailer.



Specifications

Sensor module

Casing	: black PPE plastic
Dimensions	: 41x41x52 mm
Power	: 12...30Vdc
Connector	: M12 4-pin connector for sensor cable
Range	: +/- 20.0° (degr of angle)
Output signal	: 4-20 mA
Accuracy	: +/- 0.2° (degr of angle)
Working temp.	: -30/+85°C

Display unit

Casing	: black ABS plastic
Dimensions	: 134x52x85 mm
Power	: 12...30Vdc
Display	: 3-digit 7 segments
Range	: +/- 20.0° (degr of angle)
Accuracy	: +/- 0.2° (degr of angle)
Relay contact	: SPDT contact 8 (5) Amp
Sensor signal	: 4-20 mA 3-leads
Working temp.	: -20/+50°C

Spare parts

Part no.	Description
147 42 201	Angle sensor module
147 42 202	Control box
147 42 203	Connection cable (15m)
147 42 204	Electro-pneumatic 2/2 valve